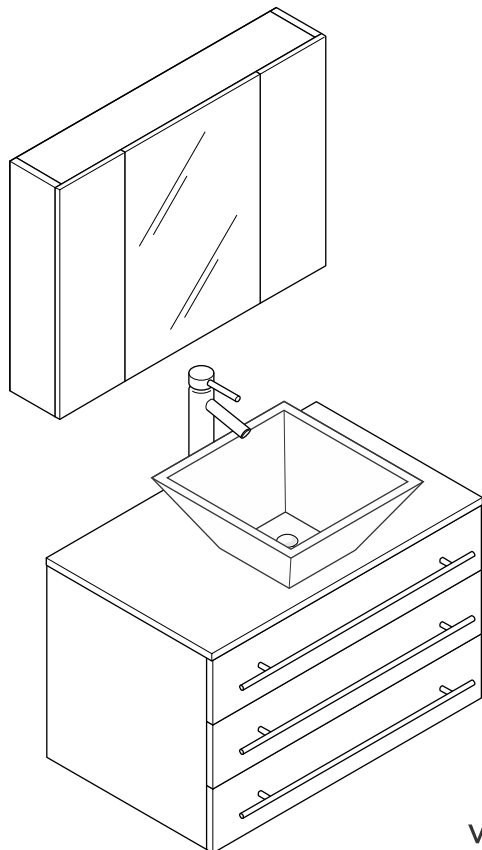
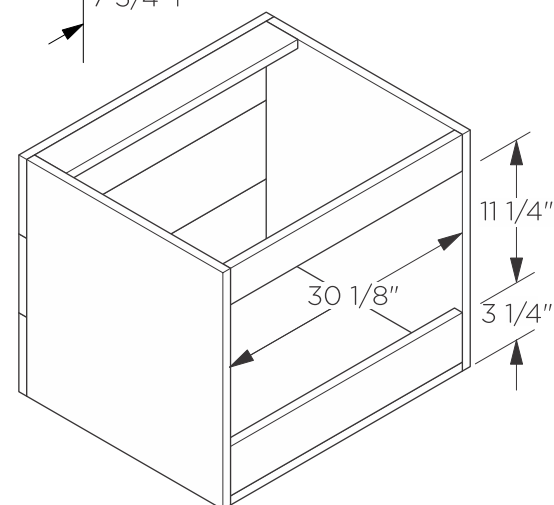
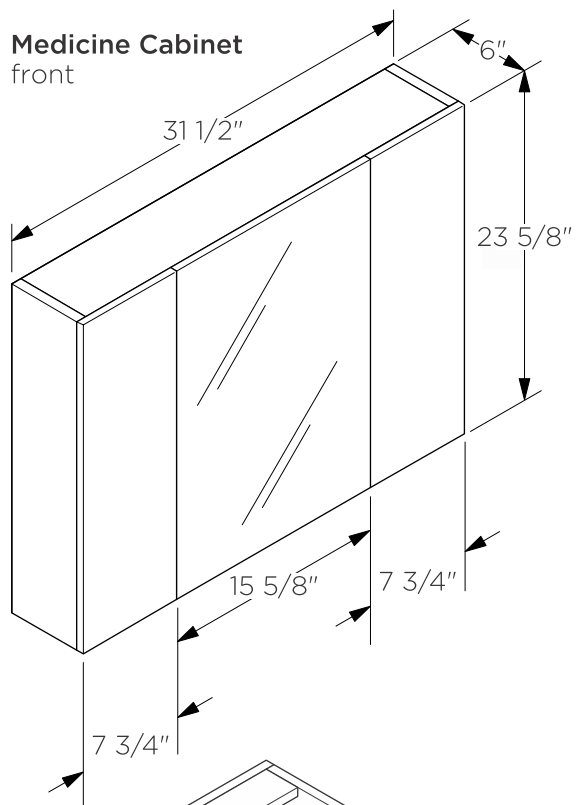


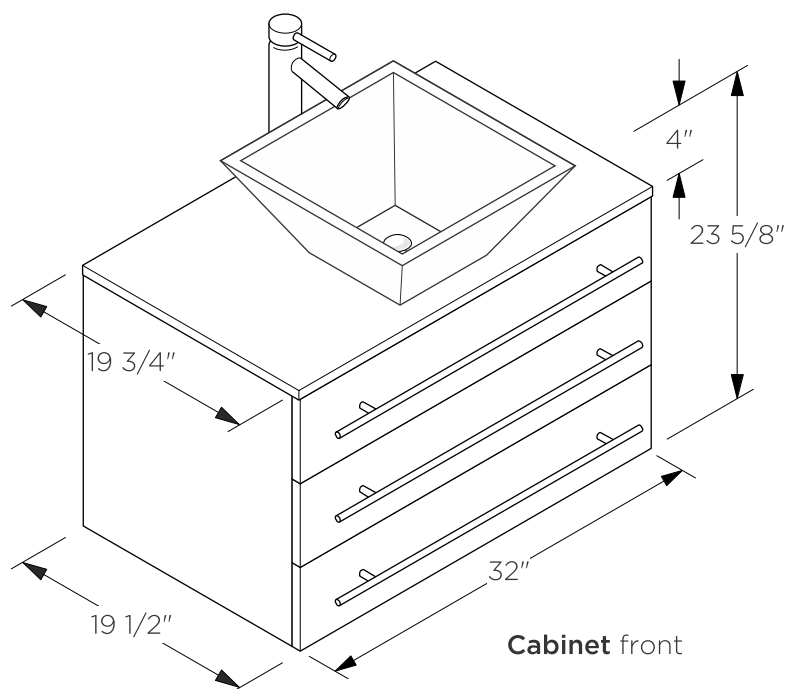
FVN6183 MODELLO INSTALLATION GUIDE



Vanity front



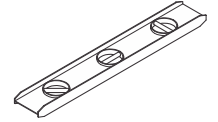
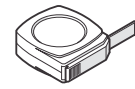
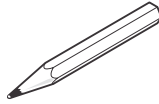
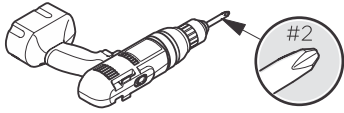
Cabinet back



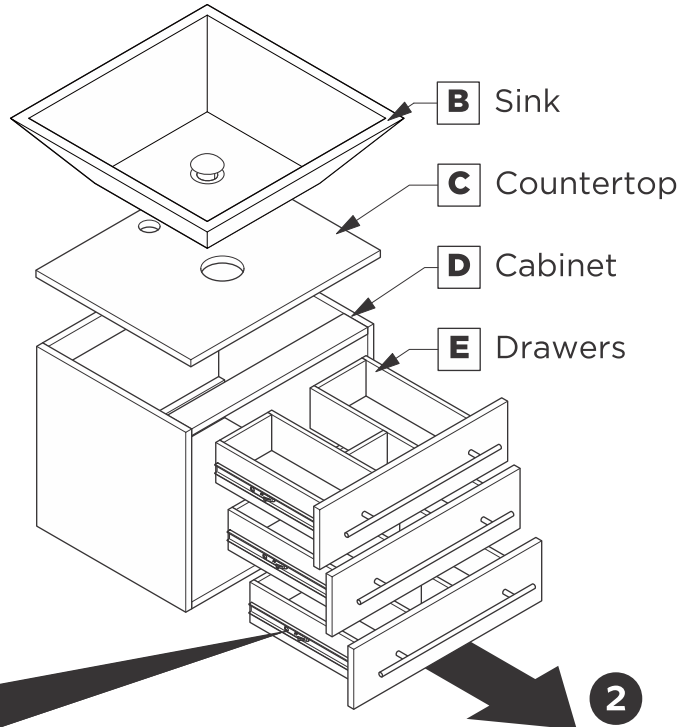
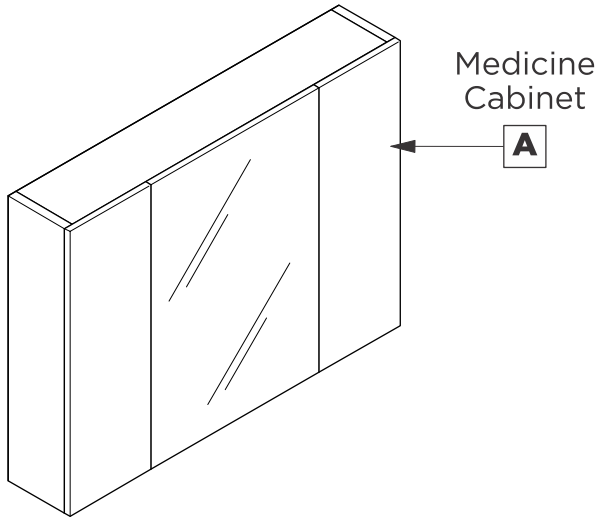
Cabinet front



TOOLS FOR ASSEMBLY

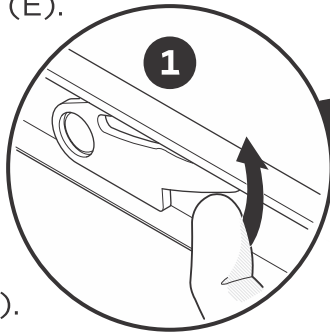


PARTS



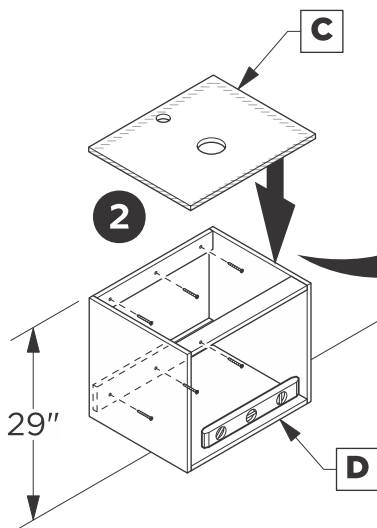
CABINET INSTALLATION

1 Remove drawers (E).



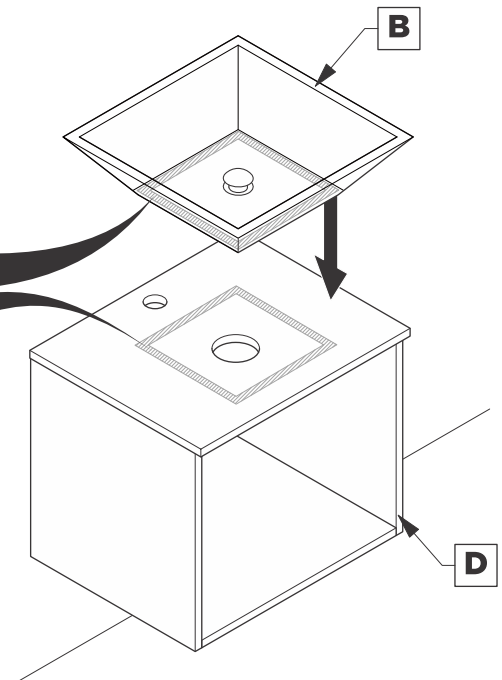
2 Install cabinet (D).

3 Apply silicone and install countertop (C).



4 Apply silicone and place sink (B) on it.

5 Install Medicine Cabinet (A).



IMPORTANT: Consult an expert for use the proper screws/bolts to use when attaching to various constructions. Screws provided do not attach to all wall construction types.

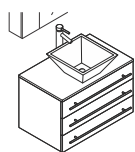


FVN6183

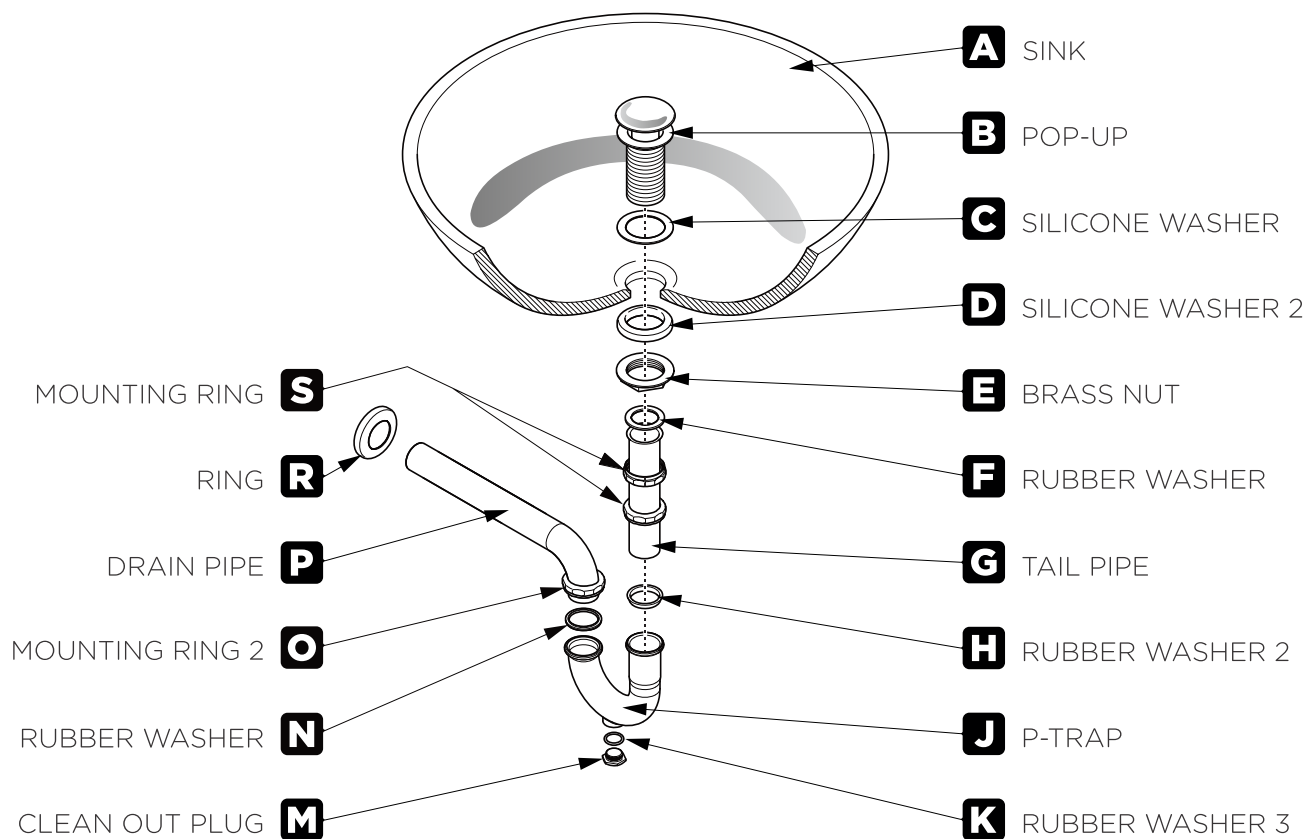
MODELLO

INSTALLATION GUIDE

PAGE 2

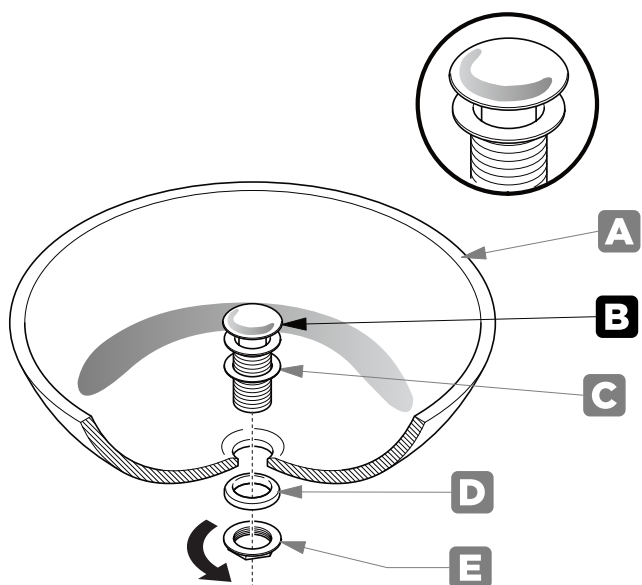


P-TRAP & POP-UP INSTALLATION INSTRUCTIONS



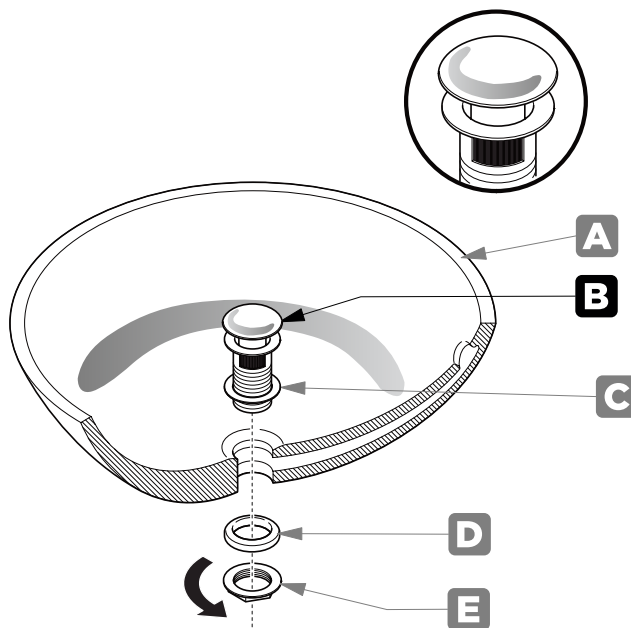
POP-UP INSTALLATION

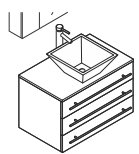
FOR SINKS
WITHOUT OVERFLOW



OR

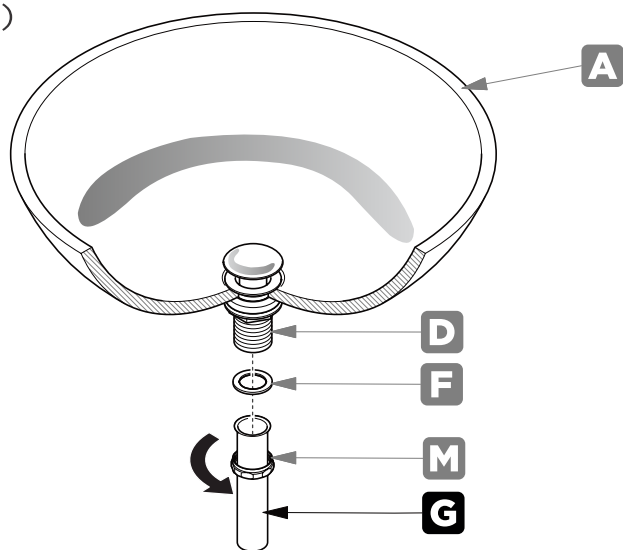
FOR SINKS
WITH OVERFLOW





P TRAP INSTALLATION

1 Install the tail pipe (G)



2 Install p-trap (J)

